

HOFMANN®



monty 1625

Spare Parts List

Produced from 2012 to present



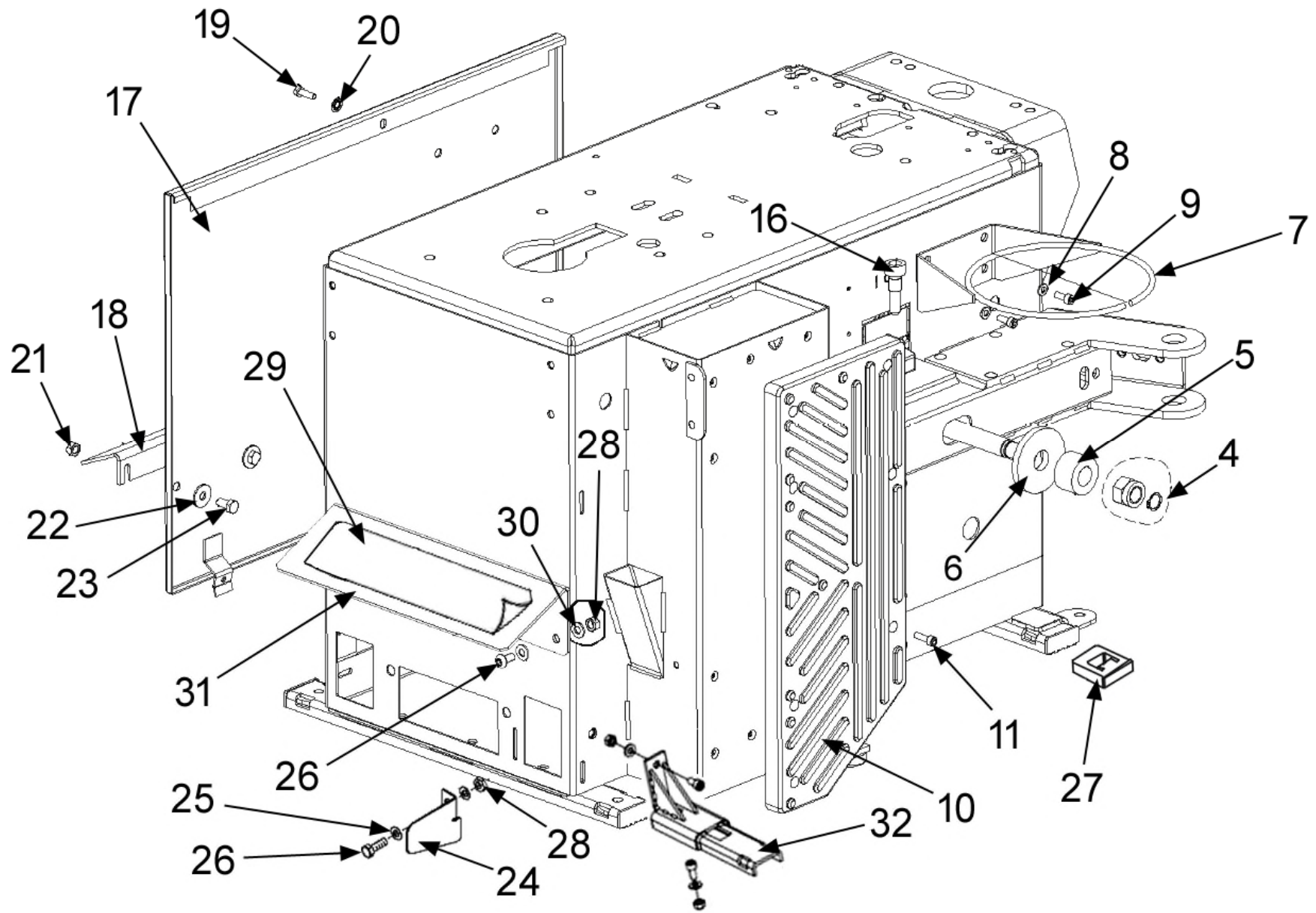
BOM Monty1625B Monty 1625

Part Number	Quantity	Description
EAA0270J27A	1	Tire Changer Assy-Monty 1625
ZEEWH715B9	1	Lit Pack Hofmann Monty 1625
EAC0078G13A	5	Back Plstc Rim Protector
EAC0097G47A	1	Wave Tire Mounting Lever
EAC0113G61A	5	Rim Protector Plastic
EAK0329G86A	1	Lghtalloy Rim Prote Front Only
5-14126A	1	Brush Tire Lube Applicator
4027094	1	Holder Lube Bottle
01267267000	1	Wire Dauber
00066006000	1	Bottle-Lube
8-03229A	1	Lubricant-Tire Mounting 75N
EAL0467G92A	1	Decal Tc Lever Warning
EAL0408G12A	1	Label Patents
EAL0413G31A	1	Label Ground
19159	1	Label Drain Water
24212	1	Placard Danger Tc Eng Spanish
EAL0408G24A	1	Label Oil
EAL0383G34A	1	Label Danger
EAL0383G32A	1	Label Danger
16510	1	Label Danger
EAL0343J76B	1	Serial Label Document
EAL0413G34A	1	Label Inflator
EAL0412G13A	1	Stickers Pedal

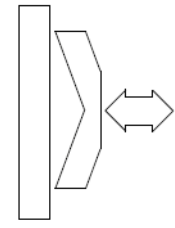
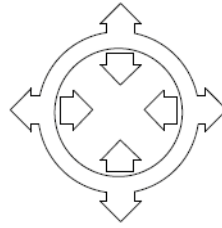
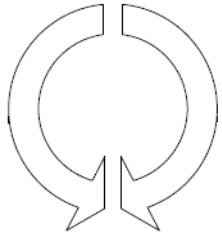
Part Number	Quantity	Description
EAL0383G01A	1	Rotation Direction Label
EAC0100G55A	1	Label Sealing Hole
EAL0383G10A	1	Label Hofmann
EAL0395G89A	1	Decal Hofmann
27382	1	Decal Monty 1625
16511	1	Label-Danger
EAL0408G25A	1	Label Pressure Min Max
25701	1	Label-No Adjust

BOM M1625EM110 Monty 1625EM

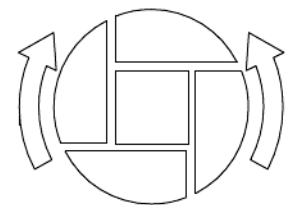
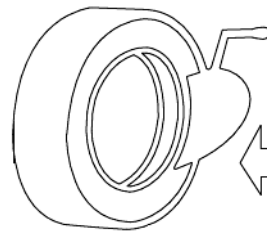
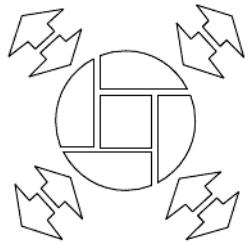
Part Number	Quantity	Description
MONTY1625B	1	MONTY 1625B
EAA0329G33B	1	MH310 PRO-6027702
EAK0237J22A	1	Svc Foot Extension Kit
EAA0304G15A	1	Plstic Prot Bd Brkr Blad
EAA0304G52A	1	3Pc Plastic Rim Protector
EAA0304G21A	4	Plastic Prot. For Jaws
EAA0304G66A	1	Qr Quik Exchg Mnt Head
EAC0115G06A	1	Wave Lever Sleeve



Item # 29 - 27091 Pedal Sticker With Switch on Left side of Pedal Assembly

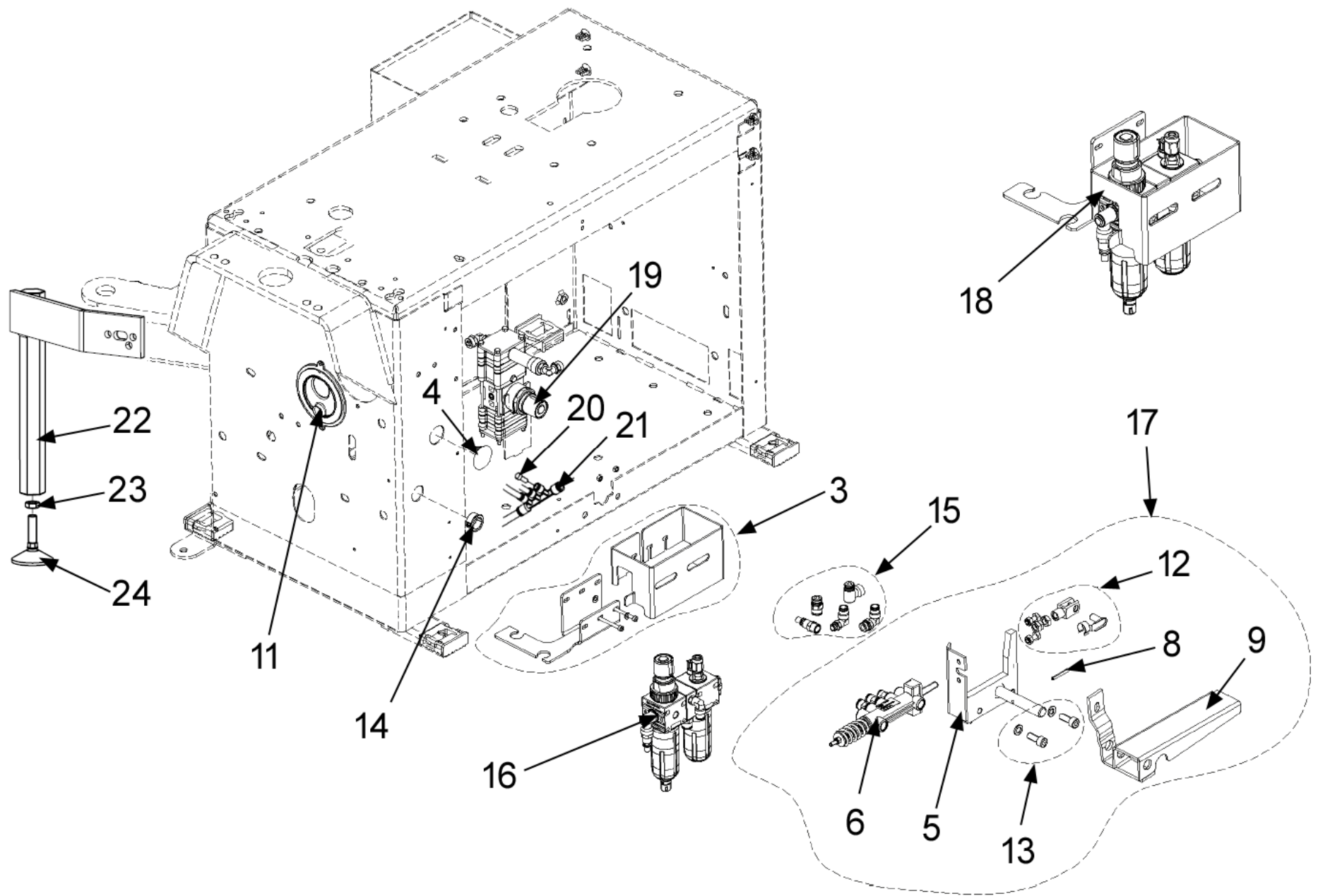


Item # 29 - EAL0412G13A Pedal Sticker With Switch on Right side of Pedal Assembly

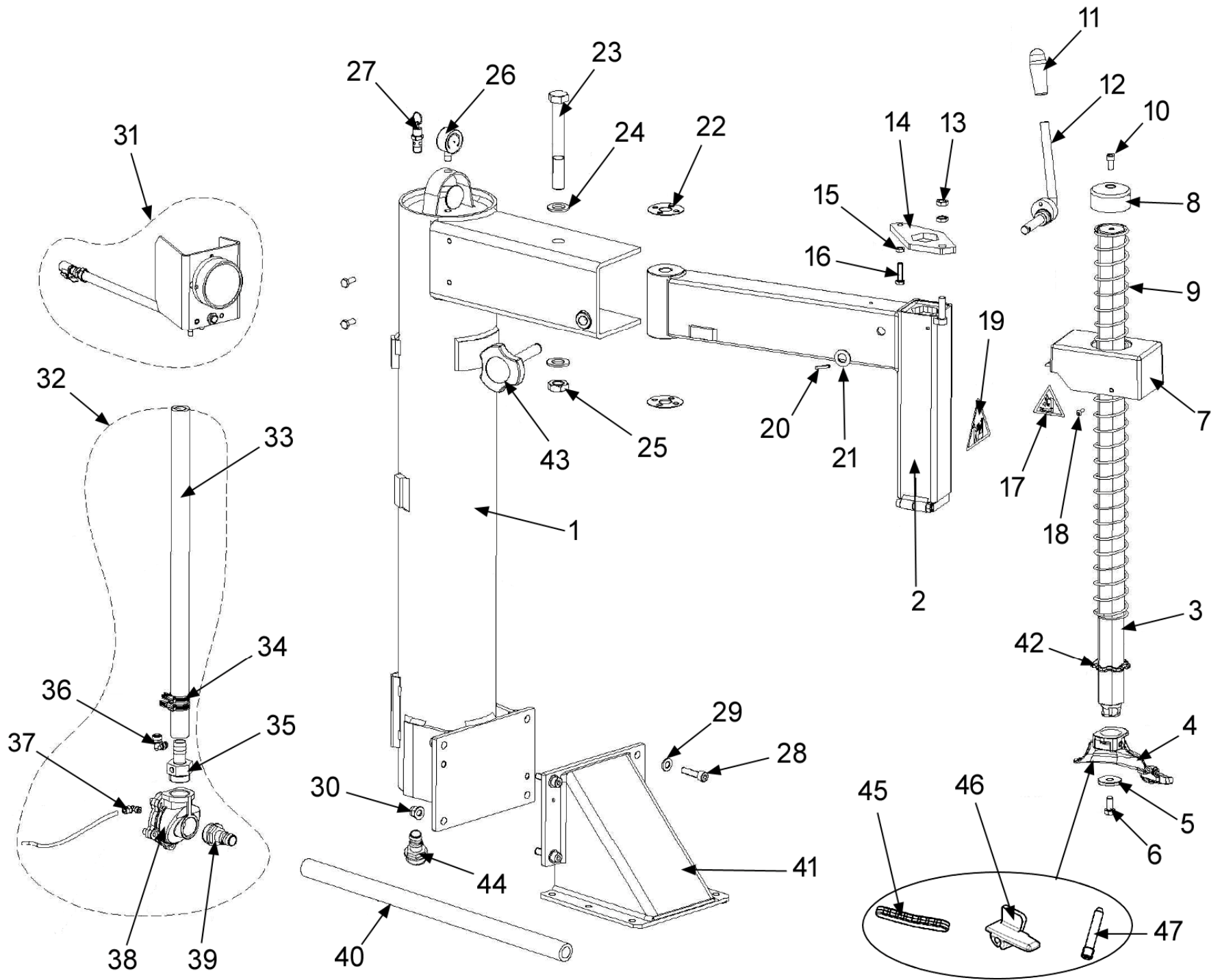


Ref	Qty	Part Number	Description	
4	1	EAK0306G23A	Fixing Kit For Bead Breaker Arm	
	1	1-3977	Retaining Ring	
	1	1-20933A	Nut Lock M18 - 1.5	
5	1	EAC0097G51A	Washer - Shock Absorber	
6	1	EAS2097G96A	Washer,Support-Bead Breaker	EAM0067G33A
7	1	EAA0349G76A	Ring- Box, Grease	
8	2	1-9841	Washer,Plain D6 Zinc.	
9	2	1-16309	Screw Hex Socket M 6x16	
10	1	EAC0099G22A	Pad- Support, Beadbriker	
11	7	1-16409A	Screw Tcei 6x20 8G	
16	2	EAM0067G34A	Screw,Fitting- Cylinder B/Break	
17	1	EAS2029J62A	Black Side Panel	EAS2126G60A
18	1	EAS2115G83A	Protector,Pedal	
19	1	1-30901A2	Screw Te 6x20 8G	

Ref	Qty	Part Number	Description	
20	1	1-1548	Washer-Lock D.6	
21	2	1-15933A	Nut M8	1-11733
22	2	1-17841	Washer - D. 8x24	
23	2	1-32501A	Screw 8x16 8G	
24	1	EAS2100G95A	Pedal-Reverser Protection	
25	2	1-17741	Washer D.8	
26	3	1-32601	Screw - M8 x 20mm Hex Head	
27	4	EAC0097G52A	Foot Square	
28	3	1-15933A	Nut Hex M8 - 1.25mm	
30	2	1-10041	Washer M8	
31	1	EAS2115G04A	Pedal Protection	EAC0114G09A
32	1	EAS2141J44A	Foot Extension Weldment	Only M1625EM110



Ref	Qty	Part Number	Description	
3	1	EAK0330G49A	Na Lub. Filter Fixing Kit	
4	1	1-08676A	Cap, Closing	
5	1	EAS2134G52A	Gt Pedal Support	
6	1	ST4029115	Valve, Bead Inflating	EAA0329G75A
8	1	ST7023119	Pin - Straight Slotted 4X30	1-6652
9	1	ST4029114	Inflator Pedal Cataphor	EAS2068G87A
11	1	EAC0100G22A	Cable Protection	
12	1	EAK0306G32A	Screws And Bolts For Gt Valve	
13	1	EAK0306G33A	Screws And Bolts For Gt Pedal	
14	1	8-11616A	Snap Bushing	
15	1	EAK0315G99A	Fittings Kit For Filter	
16	1	EAA0439G90A	Filter-Press.Reg	
17	1	EAA0384G14A	Group, Bead Inflating Pedal	
18	1	EAA0489G30A	Lubricator Filter Group	
19	1	EAA0384G22A	Valve, Air Control	
20	1	1-09176A	Cap, Fitting D6	
21	1	1-12379A	Multi-Tee 08-06	
22	1	EAS2196G03A	Foot Support	Only M1625EM110
23	1	1-22733A	Nut M12	Only M1625EM110
24	1	8-12618A	Foot With Thread Pin	Only M1625EM110

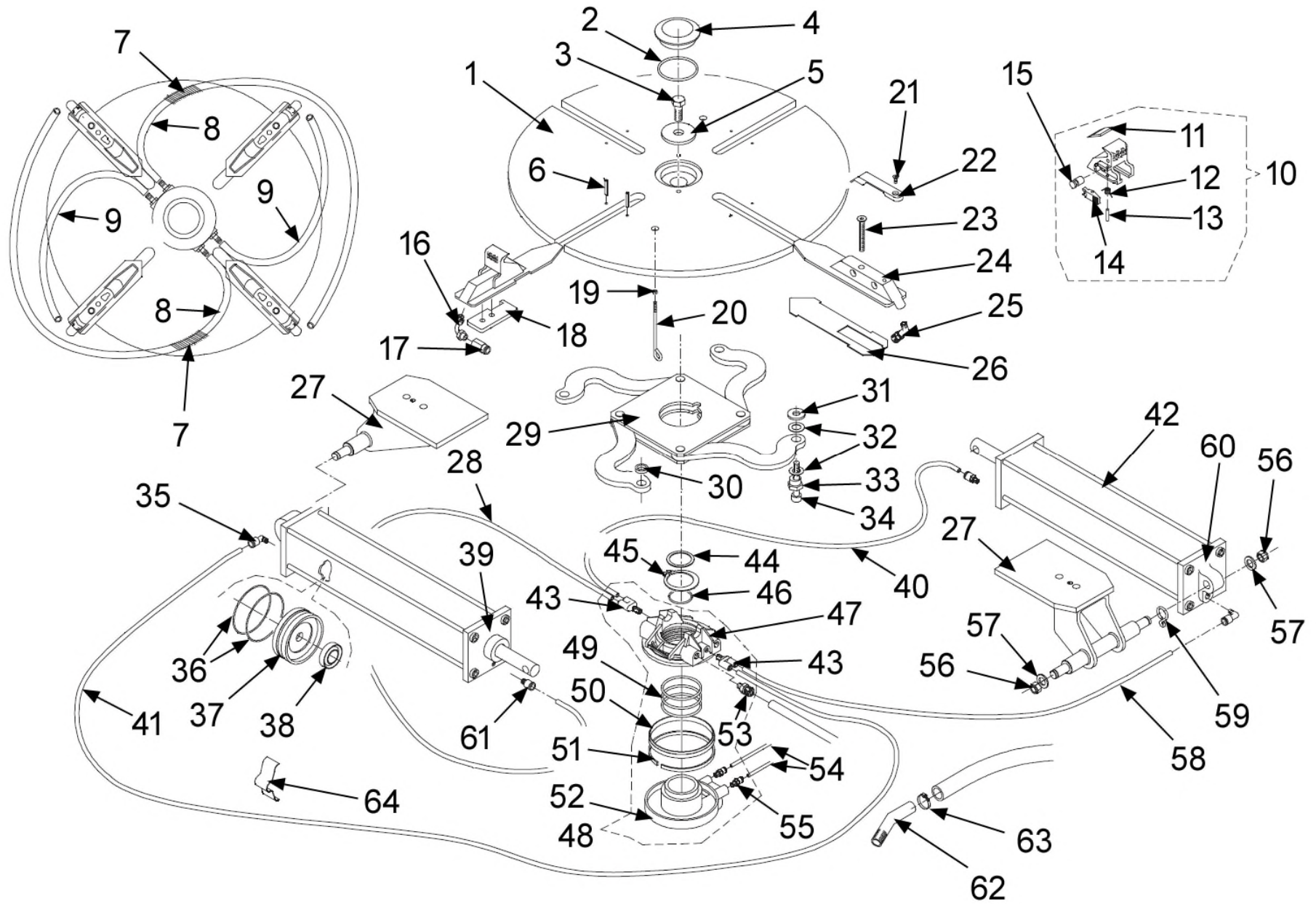


Ref	Qty	Part Number	Description	
1	1	EAS2141J21A	Swing Column	EAS2169G73A
2	1	EAM0010J44A	Swing Arm	EAA0440G41A
3	1	EAM0122G32A	Rod-Vertical	
4	1	EAA0329G95A	Mounting/Demounting Tool	
5	1	EAM0032G02A	Washer- Tool Clamping	
6	1	1-44901A	Screw Hex 10X20 8G	1-34301A
7	1	4020113	Protection, Upper Tower	EAM0126G17A
8	1	EAM0140G92A	Cover For Hex Bar	
9	1	EAS2153G47A	Spring-Recall, Tower,Vertical	
10	1	1-17609A	Screw, 8X16 8.8 Uni5931-67	
11	1	EAC0078G04A	Handle-Rubber	
12	1	EAS2108G36A	Lever, Register	
13	2	1-19633B	Nut- M10 6S Blk Uni5589-65	
14	1	EAM0010J50A	Lever- Necking	EAS2153G46A
15	1	1-15933A	Nut M8 Din 936 - Uni 5589	
16	1	EAM0067G26A	Screw, Adjustment- Rod	
17	2	EAL0408G42A	Sticker Danger	
18	3	1-63709A	Screw Tbei 5X16 8.8	1-49709A
19	1	EAL0408G44A	Danger Label	

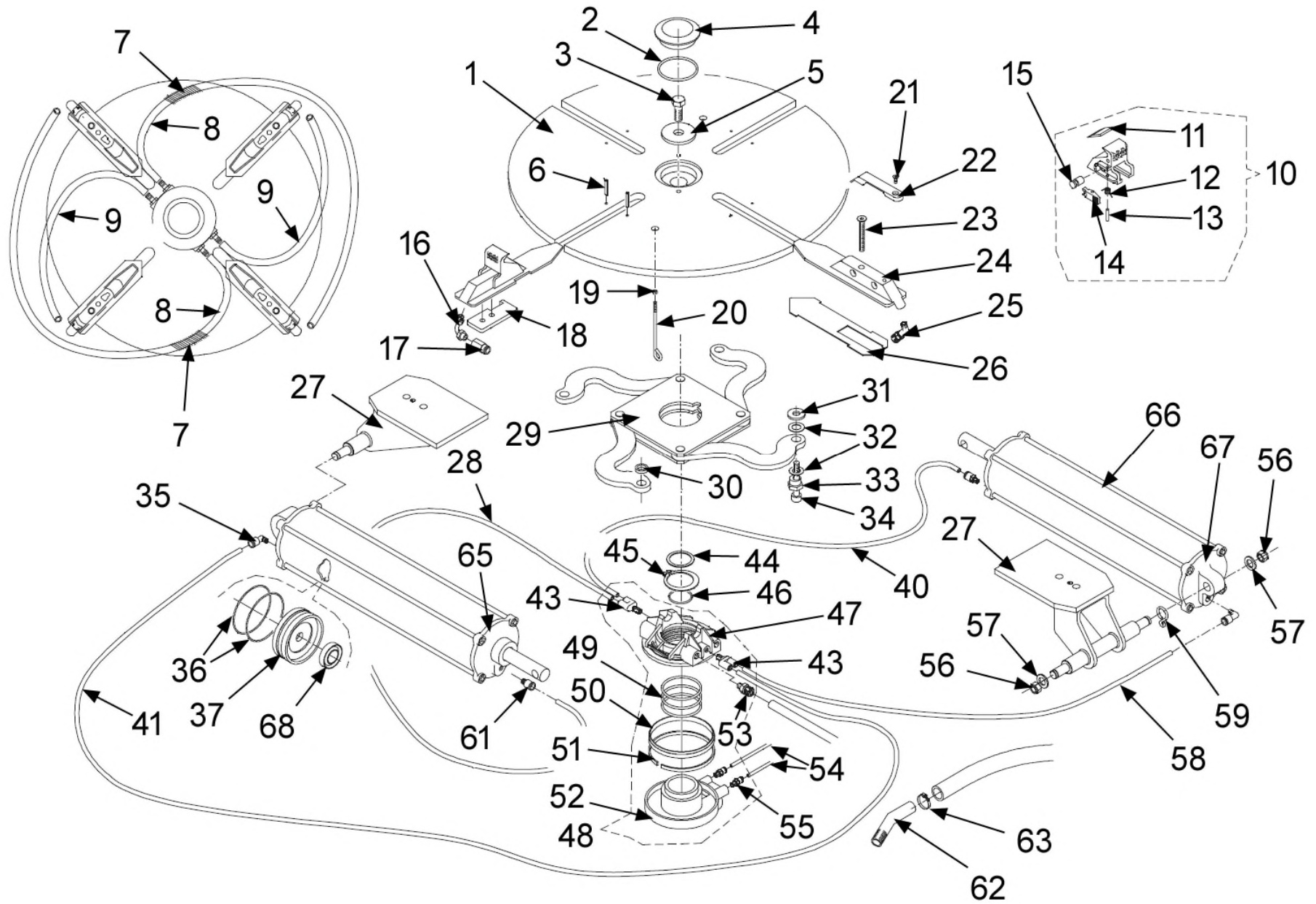
Ref	Qty	Part Number	Description	
20	1	1-6452	Pin, Straight Slotted	
21	1	1-10341	Washer - D.14	
22	2	EAM0067G29A	Washer - Adjustment	
23	1	EAM0067G25A	Screw, Swing Arm Support	
24	2	1-10641	Washer	
25	1	1-21633A	Nut	
26	1	8-06120A	Manometer-Radial 0-16 D.40	
27	1	1-31381A	Valve, Asme Safety, 1/4" Bspt	
28	4	1-19409	Screw Tcei 10X40	
29	8	1-10141A1	Washer P.D.10	
30	4	1-15433	Nut Selfclamping	7020879
31	1	EAA0332G46A	Assy,Gauge-Pressure Psi / Kpa	EAA0332G48A
32	1	EAA0351G06A	Assy, Valve- Pneumatic	EAA0351G03A
33	mr	2072705	Hose, Air- High Pressure sold by the meter	27096
34	4	EAM0075G29A	Clip, Locking-Hose	
35	1	15658	Fitting, Rub.Holder 1" Long	
36	1	1-17279A	Fitting "L" 6X8 1/8	
37	1	1-17179A	Elbow Fitting "L" 4X6 1/4"	
38	1	1-29581A	Valve,Air-Controlled	
39	1	EAM0071G99A	Fitting , Support M1"-20	

Ref	Qty	Part Number	Description	
40	mr	2072705	Hose, Air sold by the meter	14121
41	1	EAS2141J20A	Column Support	EAS2169G72A
42	1	EAC0094G02A	Ring, Shock-Absorber	
43	1	EAA0270J79A	Handle With Screw	1-03512A
44	1	1-41880A	3/4" NPT to 3/4" Hose Barb	
45	5	EAC0078G13A	Back Plastic Rim Protection	
46	5	EAC0113G61A	Plastic Rim Protection	
47	5	EAM0043G53A	Pin M5 Hexagonal Socket	

EAA0371G02A Turntable used from January 2012 (T53AFxxx) to May 2016 (T53EKxxx)



EAA0371G01A Turntable used from June 2016 (T53FKxxx) to April 2017 (T53DLxxx)



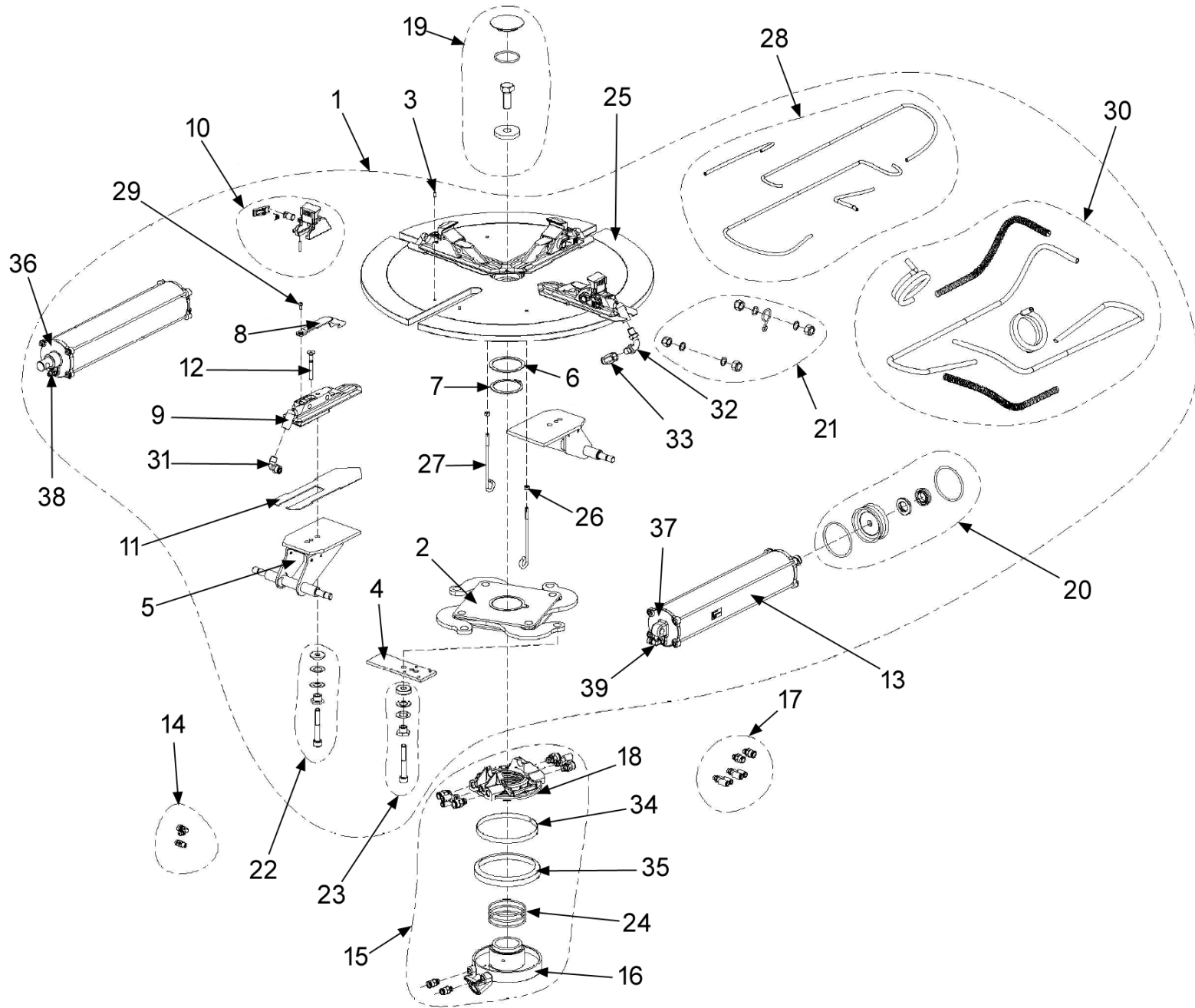
Ref	Qty	Part Number	Description	
1	1	ST4022157	Plate - Turntable , Central 20"	EAS2092G30A
2	1	8-11714A	Gasket O-Ring 46.4 x 3.53	
3	1	1-51101A	Screw 16 x 1.5 x 40	
4	1	EAC0087G47A	Protection - Turntable	ST0005678
5	1	EAS2092G32A	Washer	
6	8	1-5652	Pin-Split 4 x 10	
7	2	EAM0154G76A	Spring-Protection, Air Hoses	0024926
8	mr	2618002	Hose-Air 8 x 10 (sold by the meter)	0022835
9	2	ST0026904	Pipe, Spiral Black 6.5 x 10 x 2.5	0026904
10	4	ST4028811	Sliding Jaw Complete	EAA0350G20A
11	4	EAC0087G48A	Protection , Rims	
12	4	ST0025676	Spring for Sliding Lever	EAM0075G05A
13	4	1-19252A	Clip d 4 x 22	1-21352A
14	4	ST0025678	Lever, sliding Clamping - Machined	EAM0075G07A
15	4	ST0025677	Pin, Sliding Clamping	EAM0075G06A
16	2	EAM0051G83A	Pipe For Terminal GT	
17	2	1-14479A	Fitting, Swift 8 x 10 1/4"	
18	2	EAM0043G49A	Plate, Register - Clamp	
19	1	ST7020412	Nut M6	7020412
20	1	EAM0051G90A	Support, Pipe GT	

Ref	Qty	Part Number	Description	
21	4	1-36109A2	Screw 5 x 10	
22	4	EAC0099G90A	Protection Jaws	
23	4	1-24603A	Screw M8 x 60	
24	4	ST0029472	Clamp, Sliding W/Center 26"	EAM0075G00A
25	2	1-14379A	Fitting 90 Deg 1/4 8 x 10	
26	4	EAM0051G00A	Guide Terminals, Center	
27	2	EAA0377G79A	Bracket Cylinders	
28	mr	5-06435A	Hose 4 x 6 (sold by the meter)	EAM0069G99A
29	1	EAA0338G71A	Clamp Actioning Plate	
30	2	EAM0051G75A	Sliding Rod Spacer	
31	2	EAM0051G76A	Washer D 10 x 30 x 3	
32	8	EAM0051G74A	Washer 30 x 17 x 0.3	
33	4	EAM0043G19A	Eccentric For Sliding Rod	
34	4	1-54409A	Screw 10 x 50	
35	2	ST0005140	Elbow Fitting 1/8" 4 x 6 (Push in lock)	1-10879A
36	4	ST0001682	Seal O-Ring D 75	8-11614A
37	2	ST0015200	Double Seal D 75	EAC0087G45A
38	2	8-15914A	Lip Seal	
39	2	0031384	Machined Front Flange	
40	mr	5-06435A	Hose 4 x 6 (sold by the meter)	EAM0070G00A

Ref	Qty	Part Number	Description	
41	mr	5-06435A	Hose 4 x 6 (sold by the meter)	EAM0070G01A
42	2	ST4026768	Cylinder Square Section	EAA0344G17A
43	2	ST0019849	Y Fitting 1/8" 4 x 6	1-13579A
44	1	EAM0051G85A	Support, Ring	
45	1	1-18677A	Ring, Stop D60	
46	1	8-10714A	Seal O-Ring D 50	
47	1	ST4015870	Ring, Outer Manifold	EAA0338G76A
48	1	EAA0304G69A	Revolving Manifold GT	
49	3	ST0013161	O-Ring D 69.44 x 3.53	8-10814A
50	1	EAC0087G50A	Front Gasket	
51	1	ST0015617	Gasket Seal Spring	EAA0338G77A
52	1	ST4013171	Ring-Inside, with Supports	EAA0338G27A
53	4	ST0022175	Fitting, Quick - Hose 10 1/4	1-14679A
54	mr	5-06335A	Hose - Air 6 x 8 (sold by the meter)	25023
55	2	ST0001924	Fitting 1/8" 4 x 6	1-11379A
56	4	1-19933A	Nut - Lock M12	
57	4	1-24641A	Washer D 12 x 18 x 1	
58	mr	5-06435A	Hose 4 x 6 (sold by the meter)	EAM0070G02A
59	1	EAM0051G88A	Hook For Air - Hose	
60	2	0031385	Rear Flange	

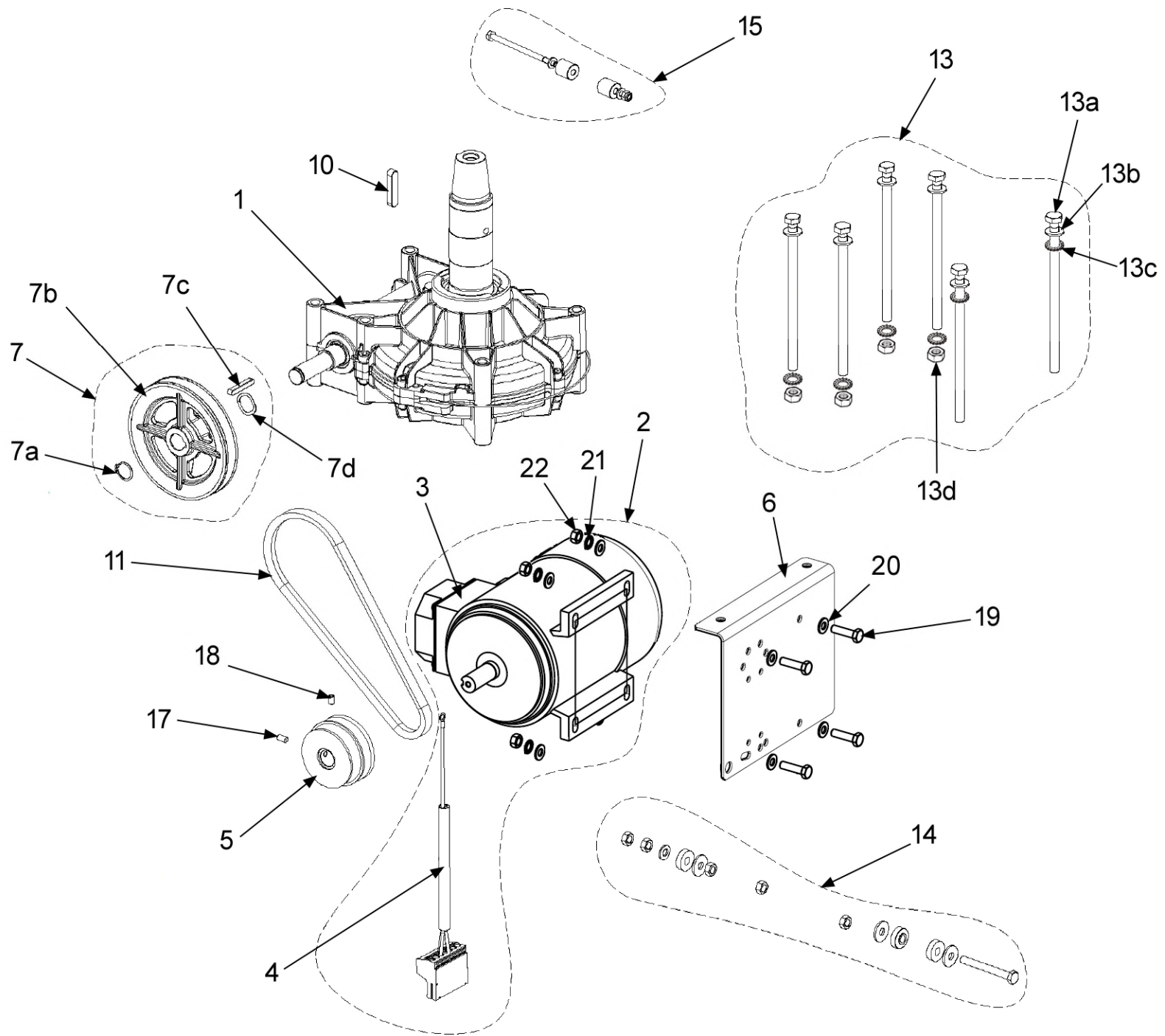
Ref	Qty	Part Number	Description	
61	2	ST0001923	Straight Fitting 1/8" 4 x 6 (Push in lock)	1-11579A
62	1	4019342	Hose, Connection - Rubber	
63	1	EAM0075G29A	Clip, Locking - Hose	
64	2	EAM0046G21A	Spring for Pipe Coupling	
65	2	ST0019653	Front Cylinder Flange	
66	2	EAA0338G74A	Self Centering Cylinder 20"	
67	2	ST0019652	Rear Cylinder Flange	
68	2	ST0001683	Lip Seal	8-09614A

Turntable used from May 2017 (T53ELxxx) to Present



Ref	Qty	Part Number	Description	
1	1	EAA0409G85A	Turntable 24" Center Type No Gt	EAA0489G97A
2	1	EAA0351G73A	Clamp Actioning Plate	EAA0489G39A
3	8	1-25952A	Pin Dowel 5X10 Uni En 28734	
4	2	EAM0043G49A	Plate, Register -Clamp	
5	2	EAA0377G79A	Bracket Cylinders	
6	1	EAM0051G85A	Support,Ring	
7	1	1-18677A	Ring- Stop D.60	
8	4	EAC0099G90A	Protection Jaws New	
9	4	ST0029428	Clamp, Sliding W/Centre 20"	EAM0075G00A
10	4	EAA0408G23A	Assembled Sliding Jaw C/Type V2	
11	4	EAM0051G00A	Sliding Clamp Guide	EAS2201G51A
12	4	1-24603A	Screw Tsei 8X60 12.9	
13	2	EAA0410G31A	Cylinder, Turntable	
14	1	EAK0330G35A	Tt Cylinder Fittings Kit	
15	1	EAA0304G69A	Revolving Manifold, Tubeless Inflator	
16	1	EAA0338G27A	Ring-Inside, With Supports	
17	1	EAK0330G28A	Revolving Manifold Fittings Kit	
18	1	EAA0338G76A	Ring,Outer - Manifold	
19	1	EAK0306G25A	Turntable Fixing Kit	

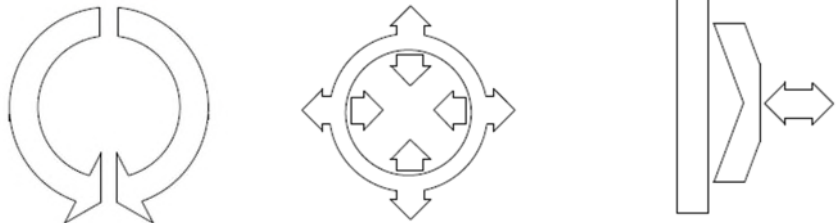
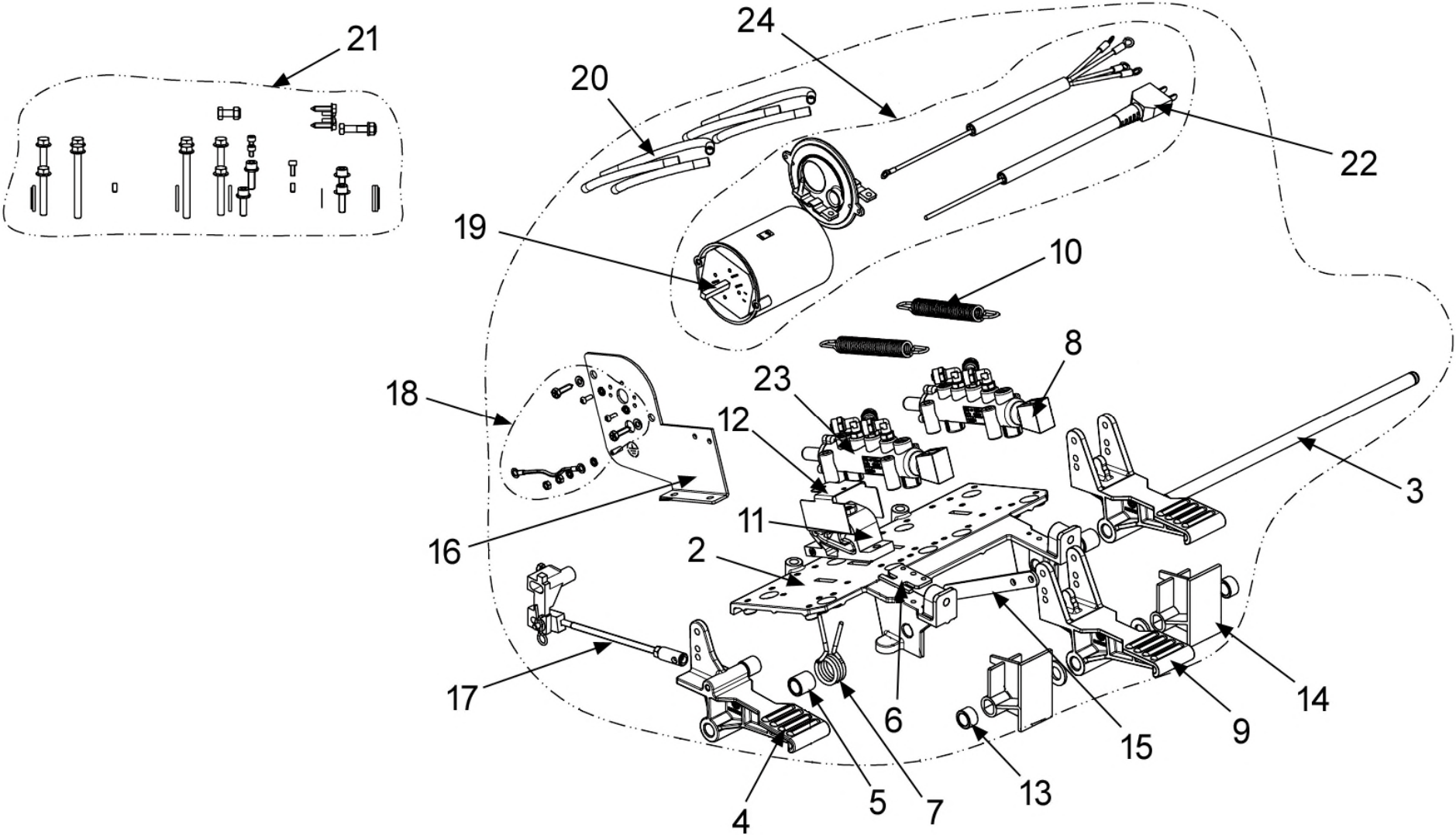
Ref	Qty	Part Number	Description	
20	2	EAK0317G36A	Seal For Round Cylinder	
21	1	EAK0306G27A	Screws And Bolts For Turntable Cyl.	
22	2	EAK0329G89A	Screws And Bolts For Clamps	
23	2	EAK0329G88A	Screws And Bolts With Eccentric	
24	3	8-10814A	Seal Or D.69.44X3.53	
25	1	EAS2153G40A	Turntable Flange, C/Type	EAA0481G73A
26	2	1-11633A	Nut-Hex. M6 6S	
27	2	EAM0051G90A	Support, Pipe Gt (White Galvan.)	
28	1	EAK0341G62A	Turntables Hoses Kit	
29	4	1-36109A2	Screw Tbei 5X10 8G	
30	1	EAK0341G63A	Turntable Hoses Kit For Gt	
31	2	1-14379A	Fitting-90 Deg L 1/4 8X10	
32	2	EAM0051G83A	Pipe For Terminal Gt	
33	2	1-27379A	Fitting, Swift F.8X10 1/4"	1-14479A
34	1	EAA0338G77A	Spring, Joint Sealing	
35	1	EAC0087G50A	Seal Tubeless Inflator-Front Joint	
36	2	ST0019653	Front Cylinder Flange, Shaft end	
37	2	ST0019652	Rear Cylinder Flange	
38	2	ST0001368	Straight Fitting 4 x 6 mm 1/8" (Nut & Ferrule) 1-27179A	
39	2	1-18879A	Elbow Fitting 4 x 6 mm 1/8" (Nut & Ferrule)	



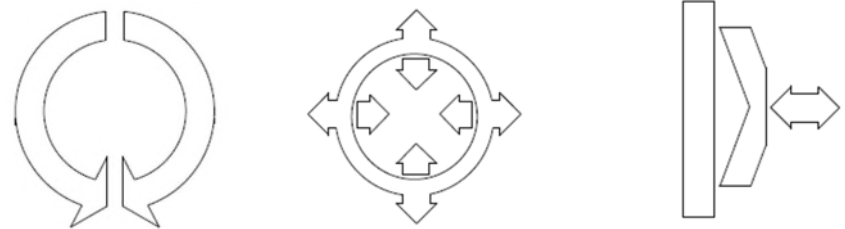
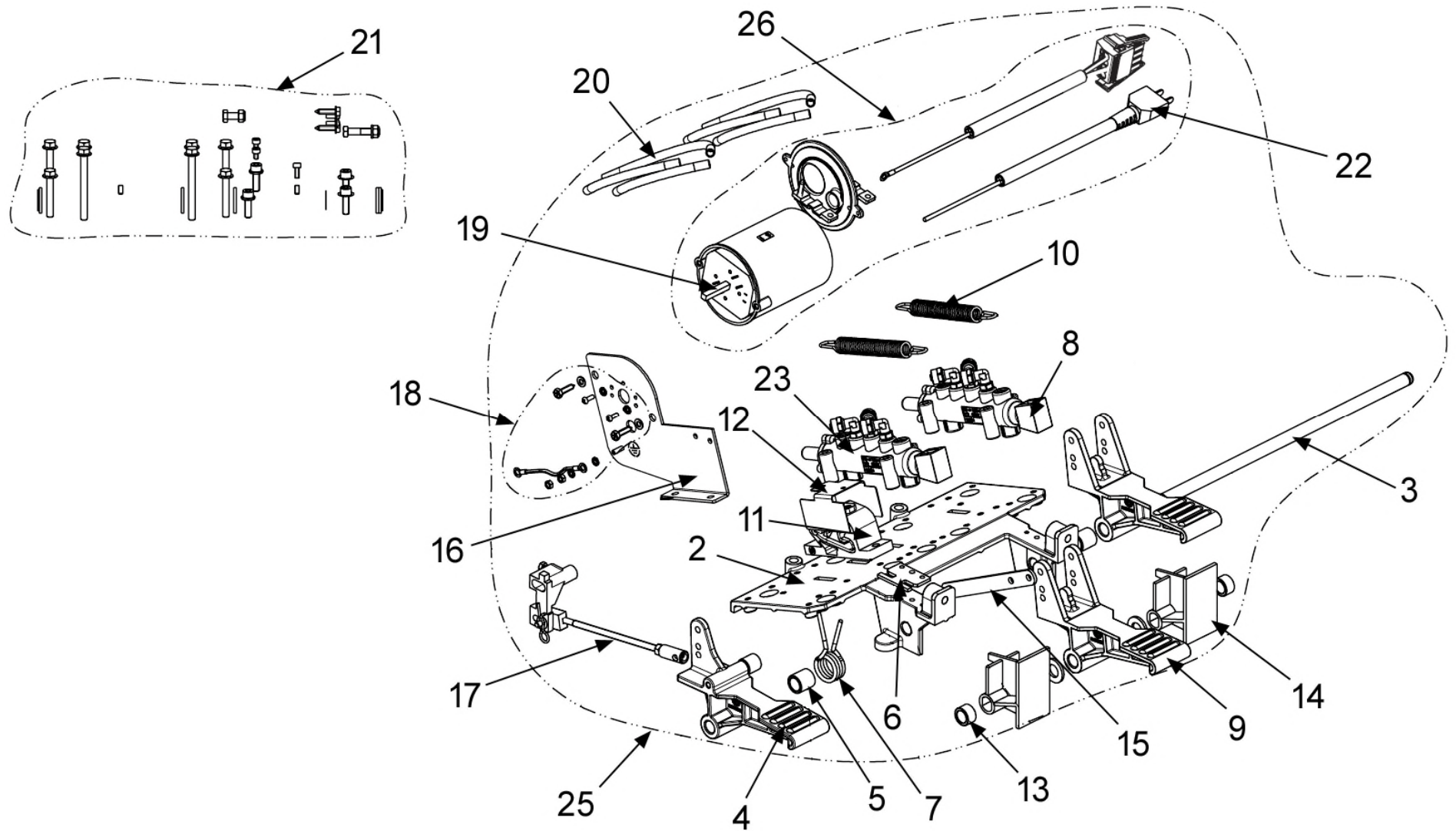
Ref	Qty	Part Number	Description
1	1	EAA0382G23A	Gearbox EAA0457G27A
2	1	EAA0534G62A	1 Phase Us Motor Cable Assembly
3	1	2-99966A	Motor 1Phase 115V 60Hz 1Hp
If machine has a Leeson Motor (Made up to September 2022 T55JRxxx) then EAA0534G65A would need to be ordered which is the Nidec Motor, cable and plate.			
4	1	EAW0277G10A	1Ph 115V Motor Cable
5	1	EAM0154G58A	Pulley DP=2 Hole D 5/8
6	1	EAS2131G28A	Motor Support
7	1	EAK0341G09A	Reduction Unit Pulley Kit
7a	1	1-18577A	Snap Ring
7b	1	EAM0125G94A	Pulley DP 130 Alu-Cast Machined
7c	1	1-03472A	Key 6 x 6 x 45
7d	1	1-24477A	Elastic Copensation Ring
10	1	1-1572	Key-10X8X45
11	1	EAC0078G58A	V Belt, A-26
12	1	EAK0279G63A	Screws Kit For 1Phase Motor
13	1	EAK0279G65A	Screws Kit For Gearbox
13a	6	1-50401A	Screw 10 x 160
13b	6	1-10141A1	Washer D10
13c	6	13148	Ext Shakeproof D10
13d	6	1-15433	Nut M10

Ref	Qty	Part Number	Description	
14	1	EAK0279G66A	Belt Tightener Kit	
	1	1-10033	Lock Nut M8	
	3	1-15933A	Nut M8-Hex 1.25mm	1-11733
	1	1-10041	Washer D8 x 17	
	3	EAC0097G54A	Shock Absorber washer	
	3	1-17841	Washer D8 x 24	
	1	1-33501A	Screw M8 x 65	
15	1	EAK0279G67A	Antirootation Kit	
	1	1-50301A	Screw M6 x 10	
	2	1-9841	Washer D6	
	2	EAM0032G93A	Antirootation Bushing	
	1	1-01637A	Nut M6	
17	1	1-54210A	Set Screw M6X10 Hex socket	
18	1	1-48910A	Set Screw M6X10	
19	4	1-32601	Screw Hex Head M8 x 20	
20	8	1-10041	Washer M8	
21	4	1-3048	Washer Ext Tooth	
22	4	1-15933A	Nut-Hex M8 - 1.25mm	1-11733

Pedal Assembly used from January 2012 (T53AFxxx) - September 2013 (T53JGxxx)



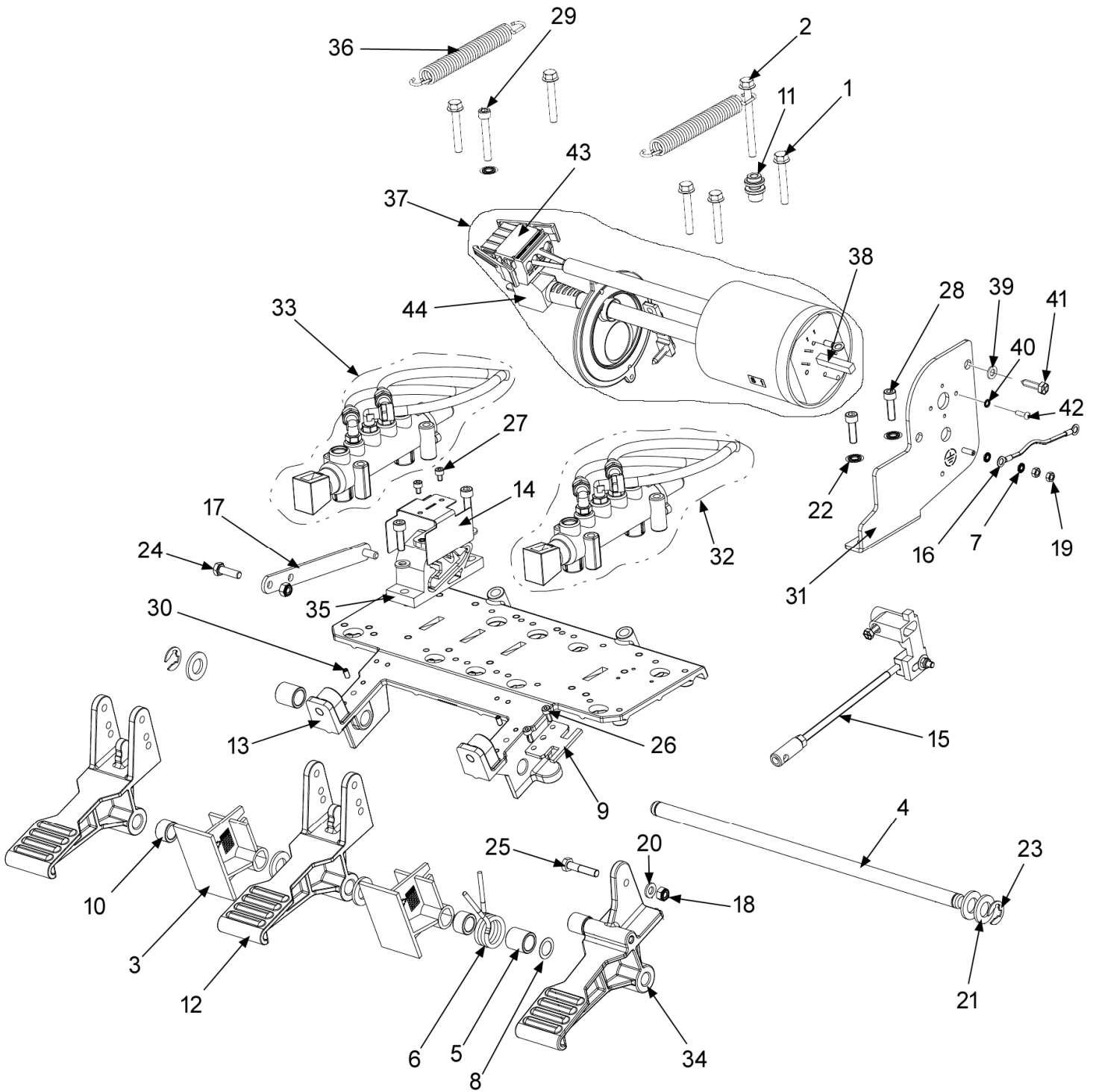
Pedal Assembly used from October 2013 (T53KGxxx) - March 2018 (T53CMxxx)



Ref	Qty	Part Number	Description	
2	1	EAM0068G80A	Pedal Asm Support - Machined	
3	1	EAM0068G10A	Shaft-Hinge Pedal	
4	1	EAA0356G93A	Left Switch Foot Pedal	
5	2	EAM0048G79A	Bushing Centering Spring	
6	1	EAM0070G32A	Commutator Spring Guide	
7	1	EAM0048G78A	Spring, Pedal Switch	
8	1	EAA0440G87A	Bead Breaker Valve and hoses	
	1	EAA0356G94A	Bead Breaker Valve	
	1	EAA0440G84A	Hose group	
9	2	EAM0068G95A	Standard Pedal Machined	
10	2	EAM0075G91A	Spring Recall Pedals	
11	1	EAC0103G56A	Cam Pedal	EAC0099G29A
12	1	EAS2115G09A	Protection Sheet For Cam	
13	2	EAM0070G46A	Spacer L=11 MM Centering Spring	
14	2	EAC0096G11A	Spacer-Pedal	
15	1	EAS2111G73A	Rod Positioner Pedal	
16	1	EAA0373G86A	Left Switch Support Asm	
17	1	EAA0347G61A	Rod, Register-Reversing Gear	
18	1	EAK0279G40A	Nuts/Bolts For Switch	
19	1	2-16759A	1 PH Rotary Switch	4030044

Ref	Qty	Part Number	Description	
20	1	EAA0364G10A	Hoses Kit Foot Pedal Asm 3P	
21	1	EAK0279G39A	Nuts/Screws For Foot Pedal Asm	
22	1	EAW0276G32A	Cable with CSA Plug	ST0015571
23	1	EAA0440G88A	Turntable Valve and Hoses	
	1	EAA0356G94A	Turntable Valve	
	1	EAA0440G85A	Hose group	
24	1	ST4017395	Reversing Switch Monoph + Cab	
25	1	EAA0370G95A	Foot Pedal Asm 3P 1Ph 115V (US) L	
26	1	EAA0394G37A	Assy Reversing Switch 1 Ph US (L)	EAA0371G93A

Pedal Assembly used from April 2018 (T53DMxxx) - Present



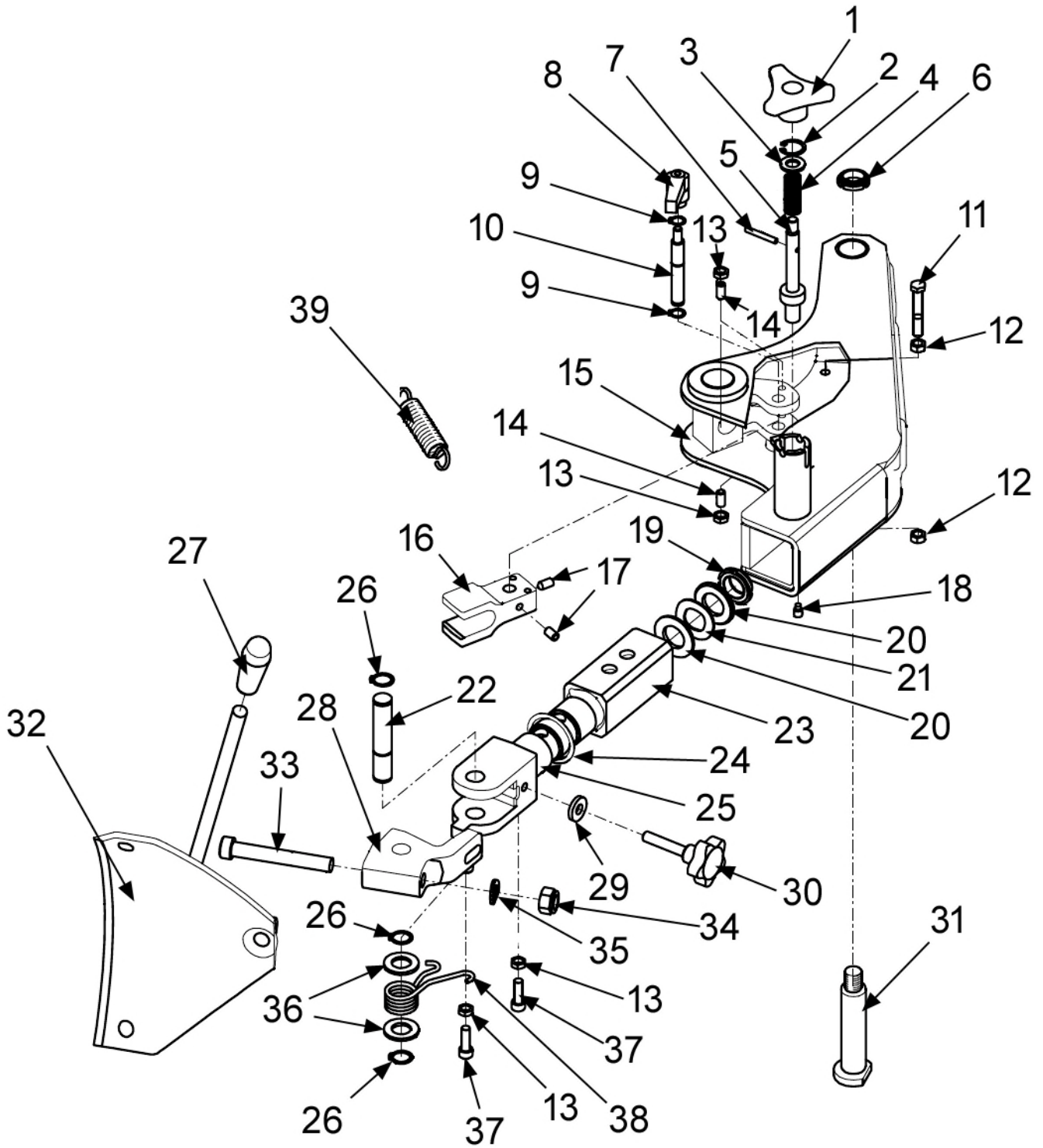
Ref	Qty	Part Number	Description
NS	1	EAA0372G43A	Complete Pedal Assembly
1	5	1-12626A	Screw Hex Flange Head M6 X 40mm
2	2	1-12726A	Screw Hex Flange Head M6 X 65mm
3	2	EAC0096G11A	Spacer-Pedal
4	1	EAM0068G10A	Shaft-Hinge Pedal
5	2	EAM0048G79A	Bushing Centering Spring
6	1	EAM0048G78A	Spring, Pedal Switch
7	2	1-5547	Beveled Serrated Washer
8	1	1-25241A	Shim Ring D.12.2 X18 X 0.3 mm Din988
9	1	EAM0070G32A	Commutator Spring Guide
10	2	EAM0070G46A	Spacer L=11 mm Centering Spring
11	2	EAC0099G82A	Spring Fixing Pawl
12	2	EAM0068G95A	Standard Pedal Machined
13	1	EAM0068G80A	Pedal Assembly Support - Machined
14	1	EAS2115G09A	Protection Sheet For Cam
15	1	EAA0347G61A	Rod Register Switch
16	1	EAA0357G73A	Cable, Earth
17	1	EAS2111G73A	Rod Positioner Pedal
18	2	1-9933	Nut, Prevailing Toroué M6
19	2	1-15833A	Hex Nut M4 Brass

Ref	Qty	Part Number	Description
20	3	1-9841	Washer, Plain D6 Zinc.Un16592-69
21	5	1-10241A	Washer, Iso 7089 (Din 125,1)
22	3	1-1548	Washer, Ext. Shakeproof D6
23	2	1-18477A	Retaining Ring 10 x 1.2mm
24	1	1-14801A	Screw Hex Head Machine M6 x 20
25	1	1-50201A	Screw Hex Head Machine
26	2	1-13409	Screw Hex Socket Cap Head, M4 x 10 A2
27	2	1-46809	Screw-Hshc M4.6 8.8 -A2J
28	4	1-16409	Screw - Hex Socket Head Cap Din 912
29	1	1-56209A	Screw Hex Socket Head M6 x 40
30	2	1-38910	Screw M4 x 8 Set Cup Zp
31	1	EAA0394G62A	1S Switch Support Asm
32	1	EAA0440G87A	Bead Breaker Pedal Hoses With Valve
	1	EAA0356G94A	Bead Breaker Valve
	1	EAA0440G84A	Hose group
33	1	EAA0440G88A	Turntable Pedal Hoses With Valve
	1	EAA0356G94A	Turntable Valve
	1	EAA0440G85A	Hose group
34	1	EAA0536G27A	Right Switch Foot Pedal
35	1	EAC0103G56A	Foot Pedal Cam

Ref	Qty	Part Number	Description
36	2	EAM0147G64A	Spring Recall Pedals
37	1	EAA0394G36A	115V 1 Phase Switch Assembly US
38	1	2-16759A	1 Phase Rotary Switch 4030044
39	2	1-9741	Washer Plain D5
40	2	1-1248	Washer Shake Proof M3
41	2	1-24223A	Screw Selfthread
42	2	1-27406A	Screw PHMS M3 x 10
43	1	EAW0277G09A	Pedal Switch Motor Cable
44	1	EAW0276G32A	Cable with CSA Plug

Bead Breaker Assembly EAA0344G08A

From January 2012 (T53AFxxx) to March 2018 (T53CMxxx)

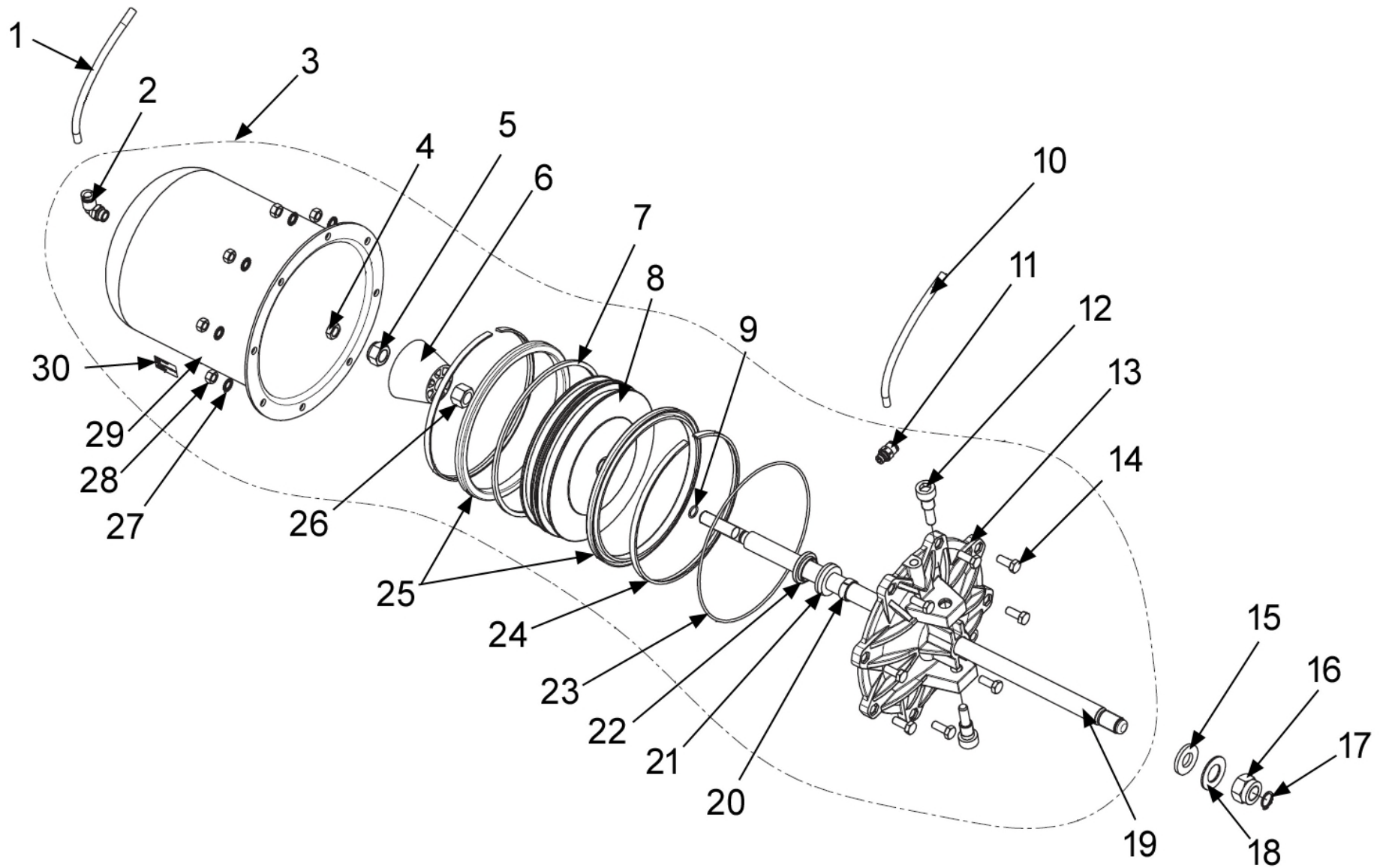


Ref	Qty	Part Number	Description	
1	1	1-02112A	Three Armed Handwheel	
2	1	ST7022269	Snap Ring D24	1-19177A
3	1	1-10241A	Washer Piston D12	
4	1	ST0003523	Spring Handle, Bead	EAM0052G37A
5	1	EAM0052G70A	Blade Positioning Pin	
6	1	1-02138A	Ring Nut Metal	
7	1	1-8552	Pins Straight Slotted	
8	1	8-10933A	Adjustable Handles	
9	2	1-3677	Snap Ring D12	ST7022059
10	1	EAM0052G73A	Stopper Rod	
11	1	1-19301	Hex Head Screw 8 x 55	
12	2	1-11733	Nut M8	
13	4	1-15933A	Nut M8	
14	2	1-51810A	Locking Device with Ball	
15	1	EAS2096G02A	Bead Breaker Arm	
16	1	EAM0052G72A	Two Position Stopper	
17	2	1-22210A	Screw 8 x 16	
18	1	1-51710A	Screw 8 x 12	
19	1	1-02338A	Ring Nut Metal Lock M25 x 1.5	
20	1	1-25341A	Plane Washer D25	

Ref	Qty	Part Number	Description	
21	1	1-06246A	Washer D25	
22	1	EAM0052G71A	Blade Rod	
23	1	EAS2097G84A	Guide	
24	1	EAM0052G76A	Plane Washer	
25	1	EAM0052G69A	Worked Rod	
26	3	1-4177	Seeger D18	
27	1	EAC0078G04A	Handle Rubber	
28	1	EAM0052G74A	Worked Floating Forged	
29	1	1-20741A	Plain Washer	
30	1	1-02312A	SCR Wing	
31	1	EAM0048G84A	Fulcrum Pin Bead Breaker	
32	1	ST4021305	Bead Breaker Blade	EAS2087G93A
33	1	1-30309A	Screw M8 x 50	
34	1	ST7020409	Nut M14 Lock	1-10433
35	1	ST7021329	Washer D14.2	1-06346A
36	2	1-10541	Washer D18	
37	2	1-17809A	Screw 8 x 25	
38	1	EAM0052G75A	Torsional Spring	
39	1	EAM0067G69A	Spring- Recall Arm	0001229

Bead Breaker Cylinder

From January 2012 (T53AFxxx) to March 2018 (T53CMxxx)

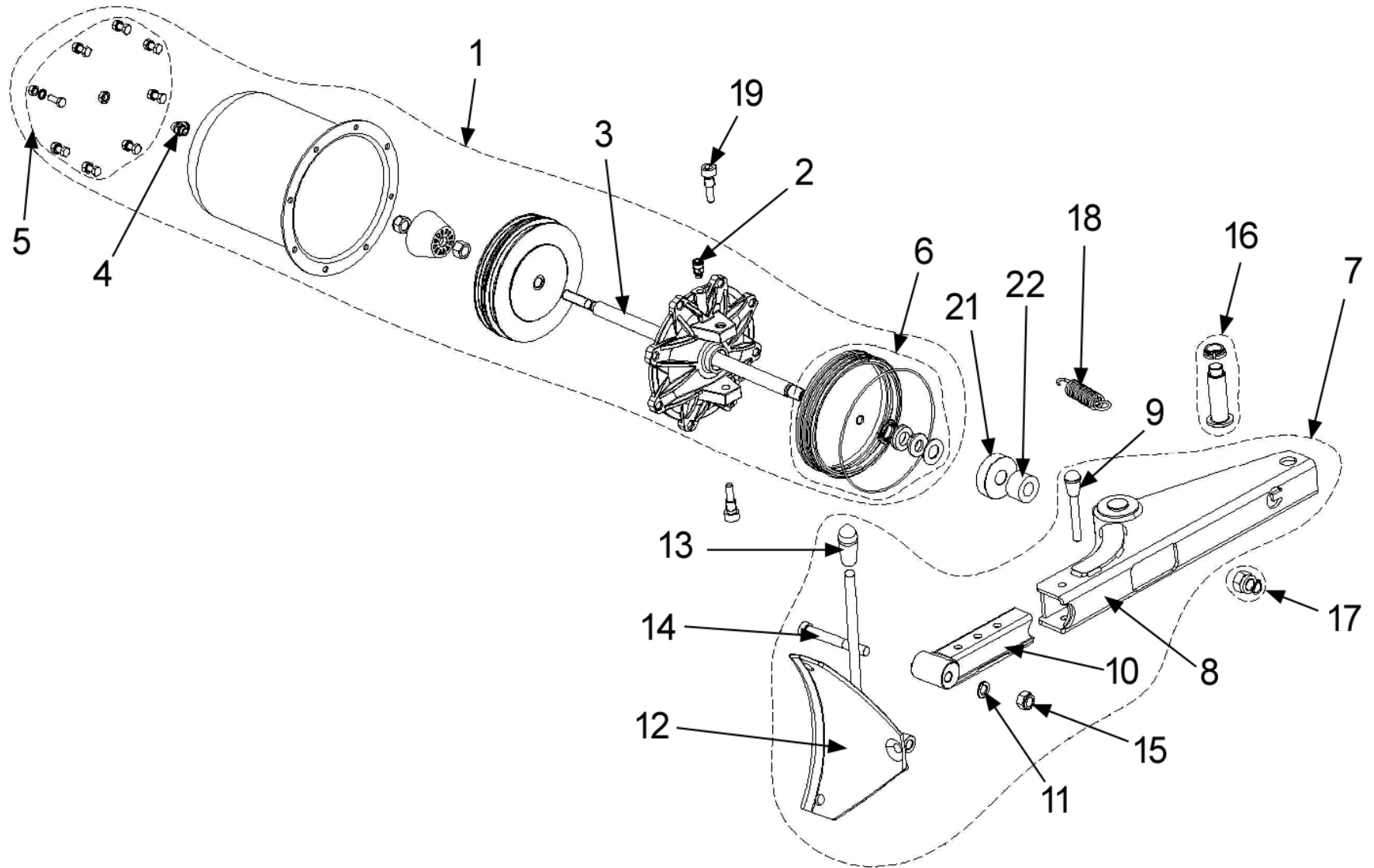


Ref	Qty	Part Number	Description	
1	mr	5-06335a	Hose - Air 6 x 8 sold by the meter	EAM0069G97A
2	1	1-20179A	Fitting "L" 6 x 8	
3	1	EAA0329G51A	Cylinder, Bead Breaker	
4	1	1-16433A	Nut 1/4" X 0.25"	
5	1	ST7020409	Nut-S.Lock,Low- M14	1-10433
6	1	EAM0048G04A	Limit Switch Rubber Pad	
7	1	ST0010597	Ring- Plastic	EAC0078G35A
8	1	ST0009279	Piston	EAC0094G40A
9	1	8-18314A	Seal-Or D.11	
10		5-06635A	Hose - Air 6 x 8 sold by the meter	EAM0069G97A
11	1	ST0001924	Fitting-St 6 x 8 1/8	1-11379A
12	1	EAM0067G34A	Screw,Fitting- Cylinder B/Break	
13	1	ST0013409	End Cap-Cylinder/Bead Breaker	EAC0078G36A
14	8	1-32601	Screw Te 8 x 20 8.8	
15	1	EAM0075G25A	Washer, Felt	
16	1	1-20933A	Nut	
17	1	1-3977	Retaining Ring For Shafts D16	
18	1	EAM0075G26A	Washer, Black Plastic	
19	1	EAM0048G06A	Rod Bead-Breaker Cylinder	
20	1	ST0024686	Ring For Rod Guide D.20	EAC0078G18A

Ref	Qty	Part Number	Description	
21	1	ST0001683	Seal, Lip I.D.20 O.D.36 Th.8 On Shaft	8-09614
22	1	ST0001684	Retainer-Seal D20	EAC0078G10A
23	1	8-10014A	O-Ring I.D.183.82 x 2.62	
24	2	ST0001470	Ring-Piston, Bead Breaker	EAC0078G34A
25	2	ST0001415	Seal - Lip N D.184	8-10114A
26	1	1-20433A1	Nut-Lock M14 6S White Zinc	
27	8	1-1748	Washer Shakeproof D8	
28	8	1-15933A	Nut-Hex M8 - 1.25mm	1-11733
29	1	EAS2068G62A	Cylinder Chamber	
30	1	EAL0383G03A	Plate Cylinder D.E.	
NS	1	EAK0306G19A	Cylinder Seal Kit includes items #9, 15, 18, 20, 21, 22, 23, 24, 25	

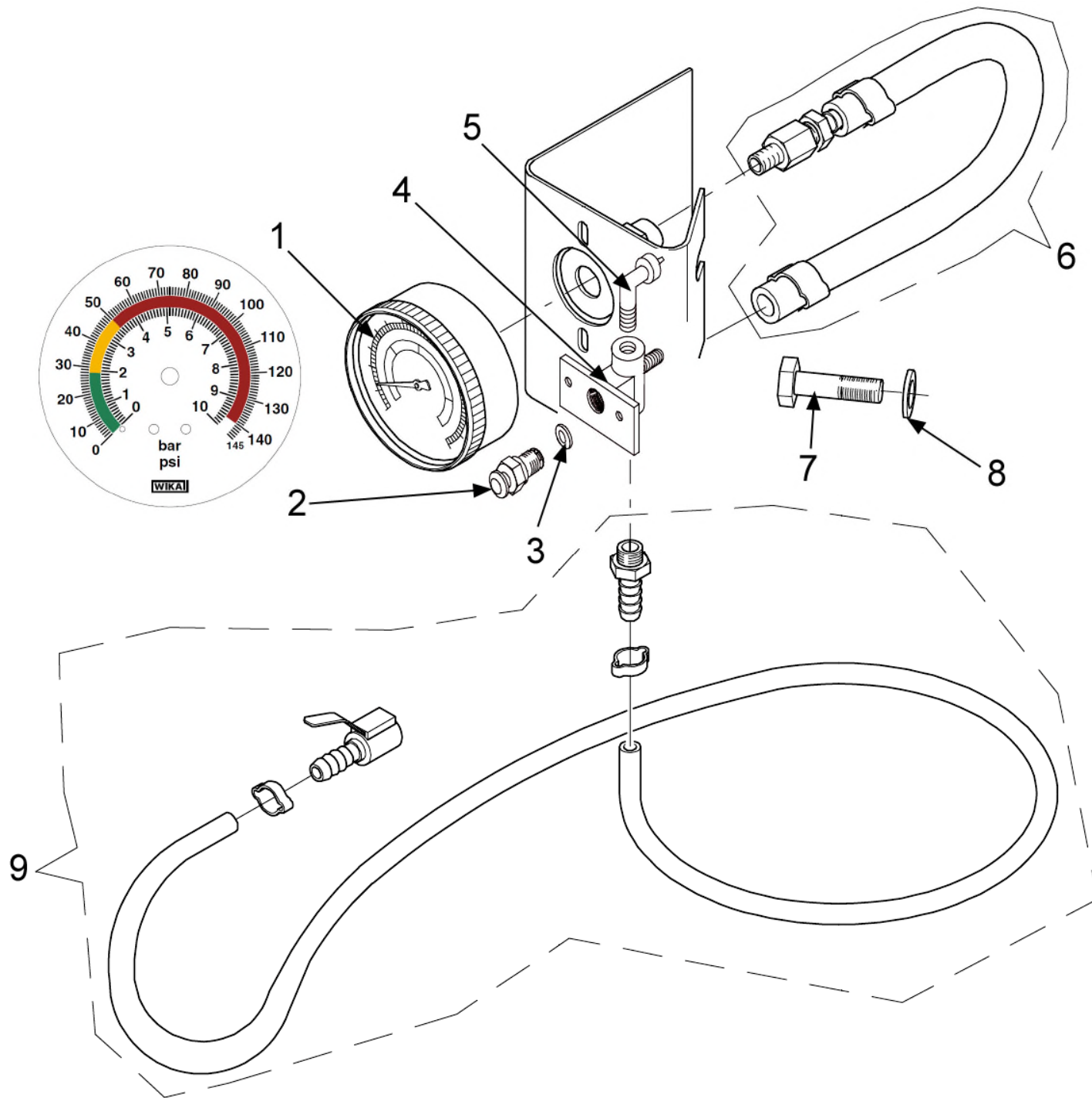
Bead Breaker Assembly

From April 2018 (T53DMxxx) to Present



Ref	Qty	Part Number	Description	
1	1	EAA0329G49A	Tc 22" Bead Breaker Cylinder	EAA0377G31A
2	1	ST0001924	Fitting-St 6X8 1/8	1-11379A
3	1	EAM0048G07A	Rod Bead-Breaker Cylinder	EAM0085G80A
4	1	1-20179A	Fitting "L" 6X8	
5	1	EAK0306G16A	Screws And Bolts For Bead Breaker	
6	1	EAK0306G19A	Seals For Bead Breaker Cyl.	
7	1	EAA0338G44A	Complete Bead Breaker Arm	
8	1	ST4025385	Arm Support, Bead-Breaker Support	EAS2108G27A
9	1	EAA0328G72A	Pin - Lock	
10	1	ST4022408	Extension-Arm,B/Breaker	EAS2087G90A
11	2	ST7021329	Washer 14mm	1-5246
12	1	ST4021305	Blade, Beadbreaker	EAS2087G93A
13	1	EAC0078G04A	Handle-Rubber	
14	1	1-22609	Screw Tcei M14X110 8.8	
15	1	ST7020409	Nut-S.Lock,Low- M14	1-10433

Ref	Qty	Part Number	Description
16	1	EAK0306G20A	Fulcrum Kit For Bead Breaker Arm
	1	1-02138A	Ring Nut Metal S Lock M20
	1	EAM0086G16A	Bead Breaker Arm Pin
17	1	EAK0306G23A	Fixing Kit For Bead Breaker Arm
18	1	EAM0067G69A	Spring-Recall Arm, Bead Breaker
19	2	EAM0067G34A	Screw,Fitting- Cylinder B/Break
21	1	EAS2097G96A	Bead Breaker Washer
22	1	EAC0097G51A	Washer - Shock Absorber



Ref	Qty	Part Number	Description
1	1	8-06820A	Gauge-Air BAR / PSI
2	1	EAA0328G57A	Bleeder Valve
3	1	EAM0043G64A	Washer, Bleeder Valve
4	1	EAC0078G59A	Body Bleeder Valve
5	1	1-11479A	Fitting - L 6 x 8 1/8
6	1	EAH0049G12A	Hose - Gauge Fitting
7	2	1-32501A	Screw 8 x 16
8	2	1-10041	Washer D8
9	1	EAA0481G30A	Hose For Inflation Gauge



Notice: The information contained in this document is subject to change without notice. Hofmann makes no warranty with regard to this material. Hofmann shall not be liable for errors contained herein or for incidental consequential damages in connection with furnishings, performance, or use of this material.

309 Exchange Ave
Conway, AR 72032
501-450-1500

Monty 1625 Spare Parts List

Monty1625B_TS

DSS

01/2024